

PRESIDENT

ELECTRIC GIANT – PEDESTAL-STYLE KETTLE

The President is the leader in high-volume upfront poppers, yet it performs beautifully behind the scenes as well. With a design that's withstood the test of time, our President has evolved into three variations of the classic cabinet style: Enclosed Top, Open Top and No Top. All cabinets come in 4, 5 and 6 ft widths.



Enclosed President

- Use with Electric Giant Poppers
- Install caramelizer to create a customized popper and caramel corn machine

Open Top President

- Excellent choice for covered outdoor stadiums and other covered outdoor applications
- Available in 5 ft only



Contact your Cretors representative for a complete list of agency approvals for each machine. Images may not reflect current equipment modifications, features and accessories.



C. CRETORS AND COMPANY 176 Mittel Drive, Wood Dale, IL 60191 | MAIN 847.616.6900 | FAX 847. 616-6970 | www.cretors.com

PRESIDENT 5.16



The cabinets are constructed with a welded angle-iron frame for durability and longevity. Stainless-steel panels and receiving tray are not only sanitary, they are also easy to clean. And because they are built so solidly, we put them on special heavy-duty casters for maneuverability. The President is ideal for theatres, amusement parks, stadiums and arenas.

Twin President Without Top (6 ft Twin shown)

Twin Enclosed President without the top utilizes existing built-in exhaust systems in popcorn production areas

- Side glass panels extend to the full height of the Enclosed President
- Includes vinyl smoke baffles
- Easily installs under built-in ceiling exhaust systems



Twin Enclosed President (6 ft Twin shown)

- Most popular

Contact your Cretors representative for a complete list of agency approvals for each machine. Images may not reflect current equipment modifications, features and accessories.



ELECTRIC GIANT – PEDESTAL STYLE POPPERS

It's not just how much corn you pop, it's how well you pop it. That's the philosophy behind our high-volume Giant Poppers, which let you pop anywhere from a small amount to a mountain of popcorn. These Cretors poppers are designed as compatible components in your production system. Designed to operate efficiently behind the scenes or up front, they're ideal for theaters, shopping malls, stadiums and arenas.

Our Giant Poppers are designed to work with three distinct cabinet configurations: Open Top President, Enclosed Top President, and President without top. The poppers can be built directly into custom millwork and are available in gas or electric power.



Cretors Exclusive One-Piece Kettle design with Direct Oil Feed

Our ingenuity sets us apart. Our distinct kettle design addresses several issues found in the field with Cretors exclusive solutions.

- Direct inject oil feed delivers oil directly inside the kettle, preventing messy exterior oil drips and spills
- Kettle cover comes apart easily with tab and pin design for easy cleaning
- Welded raised pan center prevents oil leakage into the motor

Electric Giant Pedestal Popper

- 20, 32, 48, and 60 oz kettles
- Digital readout ensures accurate temperature settings and readings
- Cycling pilot light
- Lighted rocker switches

Contact your Cretors representative for a complete list of agency approvals for each machine. Images may not reflect current equipment modifications, features and accessories.



C. CRETORS AND COMPANY | 176 Mittel Drive, Wood Dale, IL 60191 | MAIN 847.616.6900 | FAX 847.616-6970 | www.cretors.com

PRESIDENT 5.16

PRESIDENT CABINET KEY FEATURES

- Accepts electric poppers only
- Stainless-steel construction
- Stainless-steel receiving tray
- Recessed storage bin
- 50 lb corn drawer
- Exclusive Cornditioner system
- Available in 4, 5, and 6 ft Twin sizes (excluding Open Top President)
- Sliding NSF doors available on 4, 5, and 6 ft frames

GIANT PEDESTAL POPPER KEY FEATURES

- One-piece kettle design
- Direct oil feed (60 oz only)
- Direct drive motor
- Stainless-steel pedestal
- Digital temperature controller (60 oz only)
- Controls located on pedestal for efficient operation
- Available in either left hand or right hand dump

PRESIDENT OPTIONS

- Backlit LED sign
- Neon sign
- Plain stainless-steel top
- No top
- Salt/sugar switch
- Patented One-Pop
- Patented One-Pop with cycle counter
- ANSUL (single) available for 3, 4, 5 and 6 ft Twin cabinets
- ANSUL activation not included
- Integrated pump
- Pass through side glass (left or right)
- Bag filler
- Corn guard chute
- Dual control system
- Front/rear operation
- 100 lb raw corn drawer
- External exhaust fan control

Patented One-Pop control/One-Pop control with cycle counter

- This patented safety feature will bring you peace of mind! It not only saves energy, but it reduces the chances of a grease fire in your home theatre, grocery store, car dealer, hotel or anywhere else you pop. It's the safest machine on the market. With the push of a button the kettle will heat, pop a batch of corn, and turn itself off after one popping cycle, not allowing an unattended kettle of popped corn to catch fire if forgotten.
- Counter option will count the number of popping cycles the popper has performed, ideal when the number of popping cycles needs to be recorded. It's perfect for profit-sharing programs or calculating corn usage.

Patented One-Pop Control



Salt/sugar Switch

Salt/sugar switch

With a single switch, change between the higher temperature of salted corn production and the lower temperature needed for sugar corn, kettle or glazed popcorn production. Amount of oil dispensed is also automatically adjusted.

Stainless-steel kettle

- Stainless-steel durability is built directly into the kettle and will never rust.
- Stainless steel is superior to other surfaces and is not damaged by carbon remover or kettle cleaner.
- It provides improved heat transfer technology, which evenly heats the bottom of the kettle and creates a more uniform popping surface temperature that heats up quickly to maximize corn expansion.

Contact your Cretors representative for a complete list of agency approvals for each machine. Images may not reflect current equipment modifications, features and accessories.



OIL PUMPS, HEATERS AND WARMERS

The stainless-steel design of our oil pumps, heaters and warmers make them simple to use. Cretors offers three styles of oil pumps: The Bag-in-Box (BIB) Oil Pump, the Self Contained Automatic Bucket Pump and the Box Pump. Ideal for movie theaters, concession stands, restaurants, gourmet popcorn stores, and self-serve applications.



The Original Automatic Bag-in-Box (BIB) Oil Pump

Cretors first brought this innovation to concession stands based on a customer request for a pump that was easier to use and keep clean. The robust gear pump will ensure extended-term pump life.

- Heated shelf holds and warms two 35 lb boxes of popping oil
- Electronic timer provides accurate portion control when used in a popcorn machine.
- Heated oil tubes available for coconut oil
- Front or rear oil line (optional)
- Remote control switch
- Cabinet heater blower for use with coconut oil (optional)



Bag-in-Box (BIB) Short Oil Pump

This single-shelf pump is perfect for situations when the double-shelf BIB Oil Pump is not practical due to space limitations.

- Heated shelf holds and warms one 35 lb box of popping oil



Box Pump

A self-contained BIB oil pump with independent power cord provides compact oil delivery. This pump automatically delivers the proper amount of oil to the kettle with the push of a button. Magnets allow the pump to be placed anywhere in the machine. For liquid oils only.



50 lb Bucket Pumps

- **Self-Contained Bucket Pump** for use with Profiteer and T-3000 Plus models
- **Automatic Bucket Pump** for use with all large poppers that are electrically wired for a pump
- Automatic portion control heats, measures and delivers oil to kettle.
- Rugged cast aluminum heating element
- Electronic 30-minute heat timer
- Use with 50 lb oil pail



Bag-in-Box (BIB) Backroom Warmer

Melting and maintaining popping oil at the proper temperature takes time. The BIB Backroom Warmer stores and liquefies four standard sized boxes on heated shelf decks, ensuring you have the popping oil you need when you need it.

- Holds and warms four 35 lb boxes of oil
- Heated shelf decks melt and maintain product for immediate use
- Can be used to heat other BIB items, such as cheese or topping
- Two-shelf warmer also available



Heated Oil Pail Step

The Oil Pail Step makes it easy to slide a 50 lb pail of coconut oil into the base of your Cretors popcorn machine without spillage. Our step features a passive low-wattage heater to liquefy your reserve pail of coconut oil for an easy switch over to a fresh pail when needed.



Hot Rod

Hot Rod is the fastest, most economical way to melt solidified coconut oil in a pail. Rugged construction allows it to be forced into cold, hard oil. Insert the heating element directly into a pail of coconut oil, plug in and allow the heat to gently melt the oil for popper use.

Contact your Cretors representative for a complete list of agency approvals for each machine. Images may not reflect current equipment modifications, features and accessories.



C. CRETORS AND COMPANY | 176 Mittel Drive, Wood Dale, IL 60191 | MAIN 847.616.6900 | FAX 847. 616-6970 | www.cretors.com

PRESIDENT 5.16

POPPING SUPPLIES



Butterfly Popcorn

- 50 lb bag
- Good for theaters
- PART # 14228



Mushroom Popcorn

- 50 lb bag
- Good for caramel corn
- PART # 14227



Portion Pack available in 6 oz, 8 oz, 12 oz

- 6 oz PK 36 PART #9820
- 8 oz PK 24 PART #9827
- 12 oz PK 28 PART #9830



Gourmet Salt

- Butter flavored
- 2 lb bag, 12 bags per case
- PART #97940

Also available in 50 lb bulk box

- PART #9795



Maize Glaze

- 50 lb Bulk Box
- PART #18778-BULK



Eco Bags

- 1½ oz PK 1000 PART #12964
- 2½ oz PK 500 PART #12967
- 4 oz PK 500 PART #12968
- 5 oz PK 500 PART #12969

Support Our Troops Bag

- 2½ oz PK500
- PART # 12967-USA



Salted Corn Kit

- Contact your Cretors representative to order the appropriate kit size



Sugar Corn Kit

- Contact your Cretors representative to order the appropriate kit size



Contact your Cretors representative for a complete list of agency approvals for each machine. Images may not reflect current equipment modifications, features and accessories.



C. CRETORS AND COMPANY 176 Mittel Drive, Wood Dale, IL 60191 | MAIN 847.616.6900 | FAX 847. 616-6970 | www.cretors.com

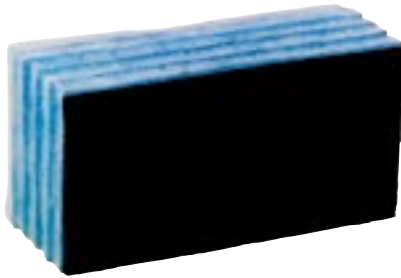
PRESIDENT 5.16

CLEANING SUPPLIES



Disposable Filters

- Fits Mach 5 and Diplomat 3 ft
- PART #14132-5



Disposable Filters

- Fits Diplomats and President 4, 5, and 6 ft cabinets
- PART #14366-5



Heat N' Spray (red can)

- 19 oz can
- 6 per case
- PART #12732



Carbon Cleaner (blue can)

- 19 oz can
- 6 per case
- PART #12731



Inside Kettle Cleaner

- 16 oz
- 12 per case
- PART #2156



Outside Kettle Cleaner

- 16 oz
- 12 per case
- PART #2157



Popper Cleaning Kit

- Includes items shown
- 16" Pan kit: PART #10837
- 12" Pan kit: PART #10831

Contact your Cretors representative for a complete list of agency approvals for each machine. Images may not reflect current equipment modifications, features and accessories.



PRESIDENT – PEDESTAL-STYLE POPPER NORTH AMERICA

MACHINE	ELECTRICAL						MACHINE DIMENSIONS INCHES			SHIP DIMENSIONS INCHES			SHIP WEIGHT
	KETTLE	SERVINGS*	VOLTAGE	WATTS	BTU	NEMA	LENGTH	WIDTH	HEIGHT	LENGTH	WIDTH	HEIGHT	lb
20 oz Giant													
Electric Giant & OEM Popper	20 oz	400	120/208-120/240V/60HZ	3800	-	L14-30	10.50	10.50	27.50	25.00	28.00	35.00	100
Electric Giant Open Stadium Cabinet 5'	20 oz	400	120/208-120/240V/60HZ	5100	-	L14-30	38.75	60.00	63.00	45.00	69.00	71.00	603
Electric Giant Enclosed President Cabinet 4'	20 oz	400	120/208-120/240V/60HZ	5100	-	L14-30	28.00	48.00	75.00	37.00	56.00	82.00	528
Electric Giant Enclosed President Cabinet 5'	20 oz	400	120/208-120/240V/60HZ	5100	-	L14-30	28.00	60.00	75.00	37.00	67.00	82.00	595
Electric Giant Enclosed President Cabinet 6' Twin	2x20 oz	800	120/208-120/240V/60HZ	•	-	L14-30 L14-30	28.00	72.00	75.00	39.00	84.00	72.00	675
32 oz Giant													
Electric Giant & OEM Popper	32 oz	640	120/208-120/240V/60HZ	5200	-	L14-30	18.00	23.00	32.50	25.00	28.00	35.00	116
Electric Giant Open Stadium Cabinet 5'	32 oz	640	120/208-120/240V/60HZ	6650	-	14-50	28.00	60.00	63.00	39.00	69.00	71.00	503
Electric Giant Enclosed President Cabinet 4'	32 oz	640	120/208-120/240V/60HZ	7150	-	14-50	28.00	48.00	75.00	37.00	56.00	82.00	528
Electric Giant Enclosed President Cabinet 5'	32 oz	640	120/208-120/240V/60HZ	6650	-	14-50	28.00	60.00	75.00	37.00	67.00	82.00	597
Electric Giant Enclosed President Cabinet 6' Twin	2x32 oz	1280	120/208-120/240V/60HZ	6800 5200	-	14-50 14-50	28.00	72.00	75.00	39.00	84.00	82.00	675
Electric Giant Enclosed President No Top 4'	32 oz	640	120/208-120/240V/60HZ	6250	-	14-50	28.00	48.00	66.25	39.00	57.00	72.00	490
Electric Giant Enclosed President No Top 5'	32 oz	640	120/208-120/240V/60HZ	6250	-	14-50	28.00	60.00	66.25	39.00	69.00	72.00	490
Electric Giant Enclosed President No Top 6' Twin	2x32 oz	1280	120/208-120/240V/60HZ	6800 5200	-	14-50 14-50	28.00	72.00	66.25	39.00	84.00	72.00	490

Contact your Cretors representative for a complete list of agency approvals for each machine. Images may not reflect current equipment modifications, features and accessories.



PRESIDENT – PEDESTAL-STYLE POPPER NORTH AMERICA

MACHINE	ELECTRICAL						MACHINE DIMENSIONS INCHES			SHIP DIMENSIONS INCHES			SHIP WEIGHT
	KETTLE	SERVINGS*	VOLTAGE	WATTS	BTU	NEMA	LENGTH	WIDTH	HEIGHT	LENGTH	WIDTH	HEIGHT	lb
48 oz Giant													
Giant & OEM Popper	48 oz	960	120/208-120/240V/60HZ	6800	-	14-50	18.00	23.00	32.50	25.00	28.00	35.00	116
Electric Giant Open Stadium Cabinet 5'	48 oz	960	120/208-120/240V/60HZ	8200	-	14-50	28.00	60.00	63.00	39.00	69.00	71.00	520
Electric Giant Enclosed President Cabinet 4'	48 oz	960	120/208-120/240V/60HZ	8200	-	14-50	28.00	48.00	75.00	39.00	57.00	82.00	528
Electric Giant Enclosed President Cabinet 5'	48 oz	960	120/208-120/240V/60HZ	8200	-	14-50	28.00	60.00	75.00	38.00	69.00	82.00	546
Electric Giant Enclosed President Cabinet 6' Twin	2x48 oz	1920	120/208-120/240V/60HZ	8350 6800	-	14-50 14-50	28.00	72.00	76.00	39.00	84.00	82.00	872
Electric Giant Enclosed President No Top 4'	48 oz	960	120/208-120/240V/60HZ	8000	-	14-50	28.00	48.00	66.50	39.00	57.00	72.00	490
Electric Giant Enclosed President No Top 5'	48 oz	960	120/208-120/240V/60HZ	8000	-	14-50	28.00	60.00	66.50	39.00	69.00	72.00	495
Electric Giant Enclosed President No Top 6' Twin	2x48 oz	1920	120/208-120/240V/60HZ	8350 6800	-	14-50 14-50	28.00	72.00	66.55	39.00	84.00	72.00	780
60 oz Giant													
Giant & OEM Popper	60 oz	1200	120/208-120/240V/60HZ	6800	-	14-50	18.00	23.00	32.50	25.00	28.00	35.00	116
Electric Giant Open Stadium Cabinet 5'	60 oz	1200	120/208-120/240V/60HZ	8200	-	14-50	28.00	60.00	63.00	39.00	69.00	71.00	520
Electric Giant Enclosed President Cabinet 4'	60 oz	1200	120/208-120/240V/60HZ	8200	-	14-50	28.00	48.00	76.00	39.00	57.00	82.00	528
Electric Giant Enclosed President Cabinet 5'	60 oz	1200	120/208-120/240V/60HZ	8200	-	14-50	28.00	60.00	76.00	39.00	69.00	82.00	575
Electric Giant Enclosed President Cabinet 6' Twin	2x60 oz	2400	120/208-120/240V/60HZ	8350 6800	-	14-50 14-50	28.00	72.00	76.00	39.00	84.00	82.00	872
Electric Giant Enclosed President No Top 4'	60 oz	1200	120/208-120/240V/60HZ	•	-	14-50	28.00	48.00	66.50	39.00	57.00	72.00	490
Electric Giant Enclosed President No Top 5'	60 oz	1200	120/208-120/240V/60HZ	8000	-	14-50	28.00	60.00	66.50	39.00	69.00	72.00	546
Electric Giant Enclosed President No Top 6' Twin	2x60 oz	2400	120/208-120/240V/60HZ	8350 6800	-	14-50 14-50	28.00	72.00	66.50	39.00	84.00	72.00	780

* 1 oz servings per hour

• Contact Cretors for details

All Twin Poppers will have two power cords unless requesting 3-phase.

Call for 3-phase supply on Twin Poppers.

Wattages are split between two power cords on twin units.

All total machine watts include the pump watts.

OEM Poppers are designed with an extra set of switches that control other cabinet features (fan and lights).

All Giant poppers available in left hand or right hand dump.

Add 433 watts for Ventless Hood options.

Contact Cretors for machine agency approval listings.

Contact your Cretors representative for a complete list of agency approvals for each machine. Images may not reflect current equipment modifications, features and accessories.



C. CRETORS AND COMPANY 176 Mittel Drive, Wood Dale, IL 60191 | MAIN 847.616.6900 | FAX 847. 616-6970 | www.cretors.com

PRESIDENT 5.16

OIL PUMPS, HEATERS AND WARMERS NORTH AMERICA

MACHINE	ELECTRICAL				MACHINE DIMENSIONS INCHES			SHIP DIMENSIONS INCHES			SHIP WEIGHT
	VOLTAGE	WATTS	AMPS	NEMA	LENGTH	WIDTH	HEIGHT	LENGTH	WIDTH	HEIGHT	lb
7700 Automatic Bucket Pump, remote control	120V/60HZ	700	5.8	-	22.00	13.00	13.00	25.00	15.00	15.00	20
7700 Automatic Bucket Pump, self contained (use with Profiteer)	120V/60HZ	700	5.8	5-15	22.00	13.00	13.00	25.00	15.00	15.00	20
7700 Automatic Bucket Salt/Sugar Pump	120V/60HZ	700	5.8	-	22.00	13.00	13.00	25.00	15.00	15.00	20
Hot Rod	120V/60HZ	400	3.3	5-15	2.50	23.50	2.25	4.00	24.00	2.50	4
Bag-in-Box Pump with side oil line	120V/60HZ	250	2.1	-	18.00	13.75	16.50	22.00	17.25	20.00	37
Bag-in-Box Pump Heated with side oil line	120V/60HZ	250	2.1	-	18.00	13.75	16.50	22.00	17.25	20.00	35
Bag-in-Box Pump Heated with front/rear discharge	120V/60HZ	250	2.1	-	18.00	13.75	16.50	22.00	17.25	19.00	35
Bag-in-Box Salt/Sugar Pump with Side oil line	120V/60HZ	250	2.1	-	18.00	13.75	16.50	22.00	17.25	19.00	35
Bag-in-Box Backroom Warmer Heated 4 shelf unit	120V/60HZ	180	1.5	5-15	17.00	16.00	49.50	20.00	20.00	51.00	74

Contact Cretors for machine agency approval listings.



PRESIDENT – PEDESTAL-STYLE POPPER EXPORT – CE MARK AVAILABLE

MACHINE	ELECTRICAL					MACHINE DIMENSIONS CENTIMETERS			SHIP DIMENSIONS CENTIMETERS			SHIP WEIGHT
	KETTLE	SERVINGS*	VOLTAGE	WATTS	BTU	LENGTH	WIDTH	HEIGHT	LENGTH	WIDTH	HEIGHT	kg
20 oz Giant					-							
Electric Giant & OEM Popper	20 oz	400	230V/50HZ	3800	-	26.67	26.67	69.85	63.50	71.12	88.90	45.00
Electric Giant Open Stadium Cabinet 5'	20 oz	400	230V/50HZ	5100	-	98.43	152.40	160.02	114.30	175.26	180.34	271.35
Electric Giant Enclosed President Cabinet 4'	20 oz	400	230V/50HZ	5100	-	71.12	121.92	190.50	93.98	142.24	208.28	237.60
Electric Giant Enclosed President Cabinet 5'	20 oz	400	230V/50HZ	5100	-	71.12	152.40	190.50	93.98	170.18	208.28	267.75
Electric Giant Enclosed President Cabinet 6' Twin	2x20 oz	800	230V/50HZ	•	-	71.12	182.88	190.50	99.06	213.36	182.88	303.75
32 oz Giant												
Electric Giant & OEM Popper	32 oz	640	230V/50HZ	5200	-	45.72	58.42	82.55	63.50	71.12	88.90	52.20
Electric Giant Open Stadium Cabinet 5'	32 oz	640	230V/50HZ	6650	-	71.12	152.40	160.02	99.06	175.26	180.34	226.35
Electric Giant Enclosed President Cabinet 4'	32 oz	640	230V/50HZ	7150	-	71.12	121.92	190.50	93.98	142.24	208.28	237.60
Electric Giant Enclosed President Cabinet 5'	32 oz	640	230V/50HZ	6650	-	71.12	152.40	190.50	93.98	170.18	208.28	268.65
Electric Giant Enclosed President Cabinet 6' Twin	2x32 oz	1280	230V/50HZ	6800 5200	-	71.12	182.88	190.50	99.06	213.36	208.28	303.75
Electric Giant Enclosed President No Top 4'	32 oz	640	230V/50HZ	6250	-	71.12	121.92	168.28	99.06	144.78	182.88	220.50
Electric Giant Enclosed President No Top 5'	32 oz	640	230V/50HZ	6250	-	71.12	152.40	168.28	99.06	175.26	182.88	220.50
Electric Giant Enclosed President No Top 6' Twin	2x32 oz	1280	230V/50HZ	6800 5200	-	71.12	182.88	168.28	99.06	213.36	182.88	220.50

Contact your Cretors representative for a complete list of agency approvals for each machine. Images may not reflect current equipment modifications, features and accessories.



PRESIDENT – PEDESTAL-STYLE POPPER EXPORT – CE MARK AVAILABLE

MACHINE	ELECTRICAL					MACHINE DIMENSIONS CENTIMETERS			SHIP DIMENSIONS CENTIMETERS			SHIP WEIGHT
	KETTLE	SERVINGS*	VOLTAGE	WATTS	BTU	LENGTH	WIDTH	HEIGHT	LENGTH	WIDTH	HEIGHT	kg
48 oz Giant												
Giant & OEM Popper	48 oz	960	230V/50HZ	6800	-	45.72	58.42	82.55	63.50	71.12	88.90	52.20
Electric Giant Open Stadium Cabinet 5'	48 oz	960	230V/50HZ	8200	-	71.12	60.00	63.00	39.00	69.00	71.00	234.00
Electric Giant Enclosed President Cabinet 4'	48 oz	960	230V/50HZ	8200	-	71.12	121.92	190.50	99.06	144.78	208.28	237.60
Electric Giant Enclosed President Cabinet 5'	48 oz	960	230V/50HZ	8200	-	71.12	152.40	190.50	96.52	175.26	208.28	245.70
Electric Giant Enclosed President Cabinet 6' Twin	2x48 oz	1920	230V/50HZ	8350 6800	-	71.12	182.88	193.04	99.06	213.36	208.28	392.40
Electric Giant Enclosed President No Top 4'	48 oz	960	230V/50HZ	8000	-	71.12	121.92	168.91	99.06	144.78	182.88	220.50
Electric Giant Enclosed President No Top 5'	48 oz	960	230V/50HZ	8000	-	71.12	152.40	168.91	99.06	175.26	182.88	222.75
Electric Giant Enclosed President No Top 6' Twin	2x48 oz	1920	230V/50HZ	8350 6800	-	71.12	182.88	169.04	99.06	213.36	182.88	351.00
60 oz Giant												
Giant & OEM Popper	60 oz	1200	230V/50HZ	6800	-	45.72	58.42	82.55	63.50	71.12	88.90	52.20
Electric Giant Open Stadium Cabinet 5'	60 oz	1200	230V/50HZ	8200	-	71.12	152.40	160.02	99.06	175.26	180.34	234.00
Electric Giant Enclosed President Cabinet 4'	60 oz	1200	230V/50HZ	8200	-	71.12	121.92	193.04	99.06	144.78	208.28	237.60
Electric Giant Enclosed President Cabinet 5'	60 oz	1200	230V/50HZ	8200	-	71.12	152.40	193.04	99.06	175.26	208.28	258.75
Electric Giant Enclosed President Cabinet 6' Twin	2x60 oz	2400	230V/50HZ	8350 6800	-	71.12	182.88	193.04	99.06	213.36	208.28	392.40
Electric Giant Enclosed President No Top 4'	60 oz	1200	230V/50HZ	•	-	71.12	121.92	168.91	99.06	144.78	182.88	220.50
Electric Giant Enclosed President No Top 5'	60 oz	1200	230V/50HZ	8000	-	71.12	152.40	168.91	99.06	175.26	182.88	245.70
Electric Giant Enclosed President No Top 6' Twin	2x60 oz	2400	230V/50HZ	8350 6800	-	71.12	182.88	168.91	99.06	213.36	182.88	351.00

* 1 oz servings per hour

• Contact Cretors for details

All Twin Poppers will have two power cords unless requesting 3-phase.

Call for 3-phase supply on Twin Poppers.

Wattages are split between two power cords on twin units.

All total machine watts include the pump watts.

OEM Poppers are designed with an extra set of switches that control other cabinet features (fan and lights).

All Giant poppers available in left hand or right hand dump.

Add 433 watts for Ventless Hood options.

Contact Cretors for machine agency approval listings.

Contact your Cretors representative for a complete list of agency approvals for each machine. Images may not reflect current equipment modifications, features and accessories.



OIL PUMPS, HEATERS AND WARMERS EXPORT – CE MARK AVAILABLE

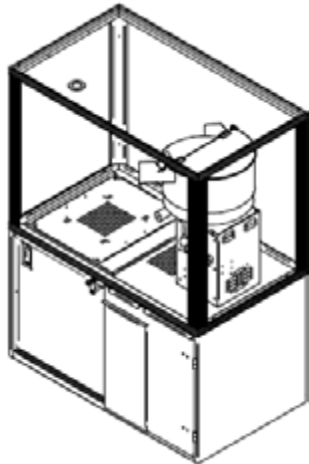
MACHINE	ELECTRICAL			MACHINE DIMENSIONS CENTIMETERS			SHIP DIMENSIONS CENTIMETERS			SHIP WEIGHT
	VOLTAGE	WATTS	AMPS	LENGTH	WIDTH	HEIGHT	LENGTH	WIDTH	HEIGHT	kg
7700 Automatic Bucket Pump, remote control	230V/50HZ	700	3	55.88	33.02	33.02	63.50	38.10	38.10	9.00
7700 Automatic Bucket Pump, self contained (use with Profiteer)	230V/50HZ	700	3	55.88	33.02	33.02	63.50	38.10	38.10	9.00
7700 Automatic Bucket Salt/Sugar Pump	230V/50HZ	700	3	55.88	33.02	33.02	63.50	38.10	38.10	9.00
Hot Rod	230V/50HZ	400	1.7	6.35	59.69	5.72	10.16	60.96	6.35	1.80
Bag-in-Box Pump with side oil line	230V/50HZ	250	1.1	45.72	34.93	41.91	55.88	43.82	50.80	16.65
Bag-in-Box Pump Heated with side oil line	230V/50HZ	250	1.1	45.72	34.93	41.91	55.88	43.82	50.80	15.75
Bag-in-Box Pump Heated with front/rear discharge	230V/50HZ	250	1.1	45.72	34.93	41.91	55.88	43.82	48.26	15.75
Bag-in-Box Salt/Sugar Pump with Side oil line	230V/50HZ	250	1.1	45.72	34.93	41.91	55.88	43.82	48.26	15.75
Bag-in-Box Backroom Warmer Heated 4 shelf unit	230V/50HZ	180	8	43.18	40.64	125.73	50.80	50.80	129.54	33.30

Contact Cretors for machine agency approval listings.





4ft President - No Top - Elevator



Part Number	Voltage	Wattage	Capacity	NEMA Plug
PR60D1E-4EXX-CNTL	120/208v / Single Phase / 60Hz	8200	60oz	14-50

